

# Installation Guide

# 93.0023

## Technical Specifications:

### Operating Pressure:

Min: 150kPa/1.5bar

Max: 500kPa/5.0bar\*

Optimum: 150kPa/1.5bar - 500kPa/5bar

Recommended installation of pressure limiting valve if supply exceeds 500kPa

### Operating Temperature:

Hot: Max 80°C\*

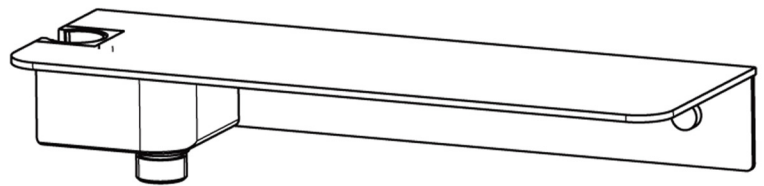
Cold: Min 5°C

### Inlet Connections:

All ½" BSP

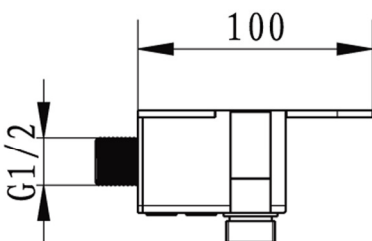
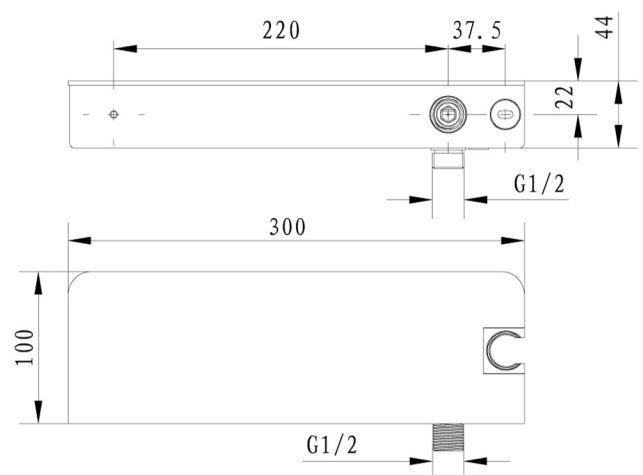
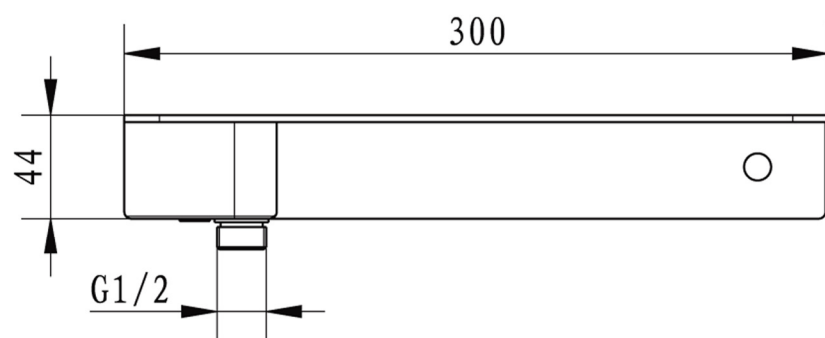
### NOTE:

- After installation all connections must be checked for leaks
- All installations must be carried out in compliance with relevant water regulations\*.



**This product should be fitted by a fully qualified installer.**

## Technical Drawing

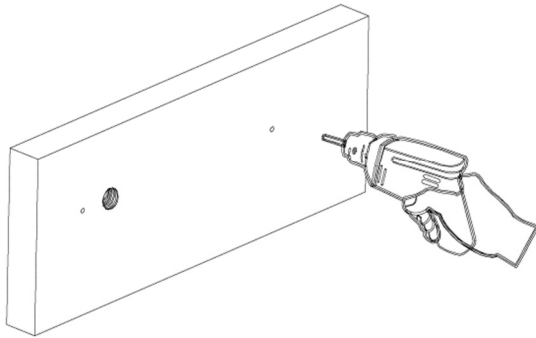
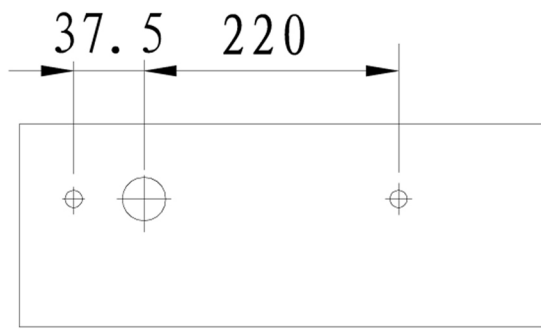


Eastbrook Road, Gloucester GL4 3DB

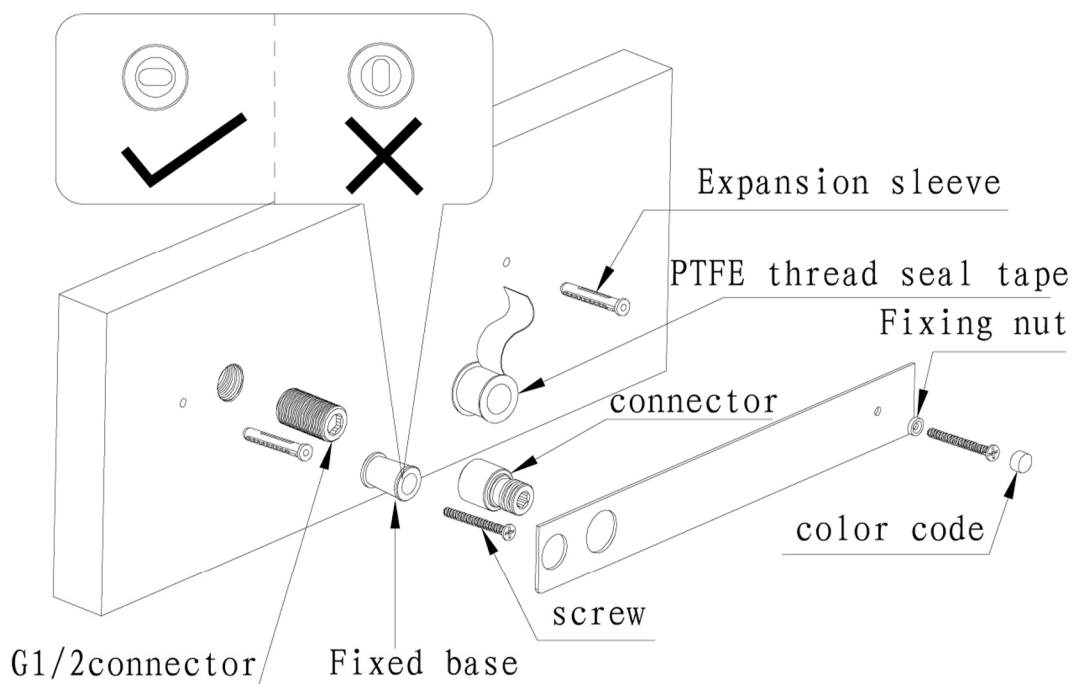
Technical Helpline : 01452 317890

Mon - Fri / 8am - 5pm

Email : [technical@eastbrookco.com](mailto:technical@eastbrookco.com)

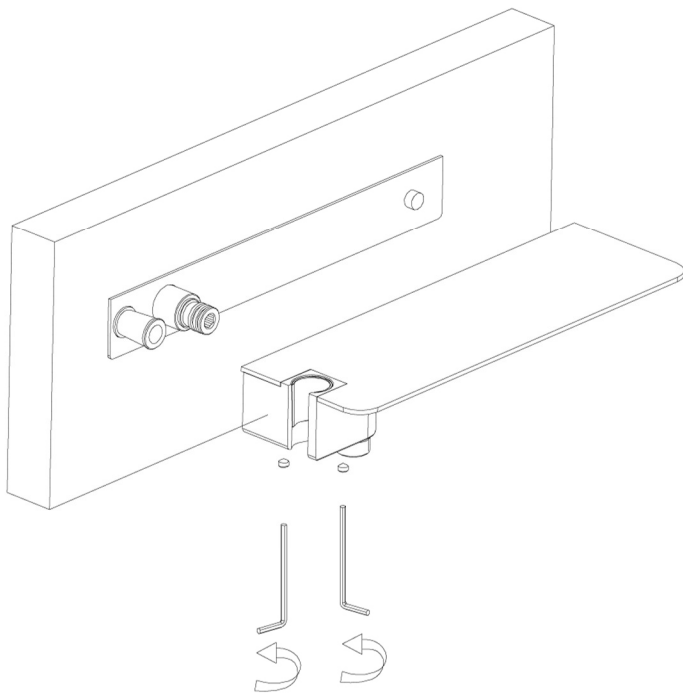


1, Drill two holes in  $\phi 5\text{mm}$  according to the image shown.

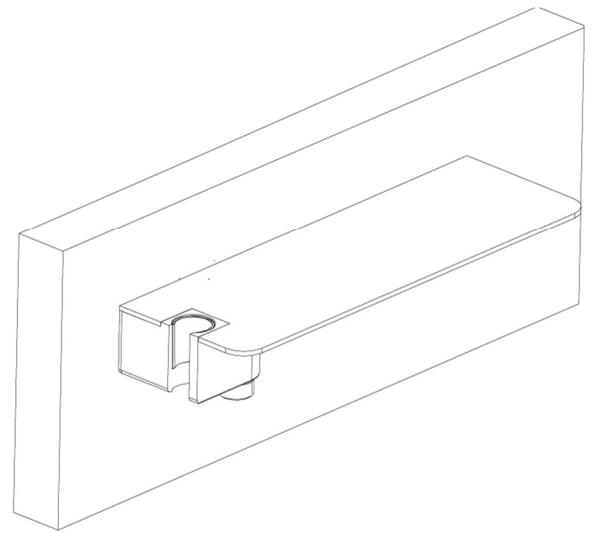


2, Install the expansion sleeve. Wrap PTFE thread seal tape around connector and screw into the outlet hole. Install the fixed base like the image shown. Install the plate, and then install the fixing nut and color code.

**Warranty is conditional with the product being maintained in accordance with the cleaning instructions and ensuring no parts are broken or loose to prevent failure.**



3, Tight the main body by Allen key.



4, Install the shower hose and hand shower.

## CLEANING

Water contains lime which remains on the surface after the water has evaporated. These lime deposits can be prevented from forming by wiping immediately after use.

To clean the chrome-plated surfaces use a soft cloth, soap and warm water. Never use cleaning agents that contain a corrosive acid or a scouring additive.



Do not use any sharp objects to clean nozzles

Clean filter washer periodically.

**Warranty is conditional with the product being maintained in accordance with the cleaning instructions and ensuring no parts are broken or loose to prevent failure.**

## Important Installation Considerations

1. NOTE: Some showers may not provide an **effective** shower when used with gravity fed heated water systems or where pressures are less than 150kPa at the outlet. Additionally showers with flow rates of less than 9L/min may not allow the following to function correctly:

- \_ some instantaneous water heaters
- \_ some tempering valves
- \_ some thermostatic mixing valves

2. Some shower heads only operate correctly when hot and cold water supplies are both mains pressure and may not be suitable for some instantaneous hot water services.

3. When water pressure is in excess of 500kPa a pressure limiting device is required

**Warranty is conditional with the product being maintained in accordance with the cleaning instructions and ensuring no parts are broken or loose to prevent failure.**



Eastbrook Road, Gloucester GL4 3DB  
Technical Helpline : 01452 317890  
Mon - Fri / 8am - 5pm  
Email : [technical@eastbrookco.com](mailto:technical@eastbrookco.com)